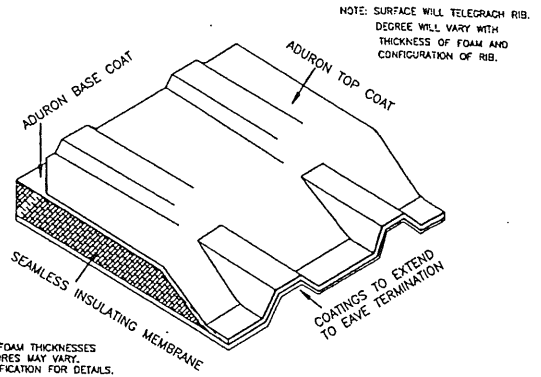
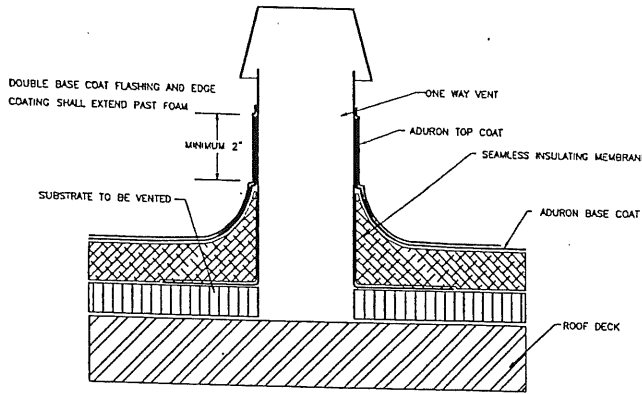


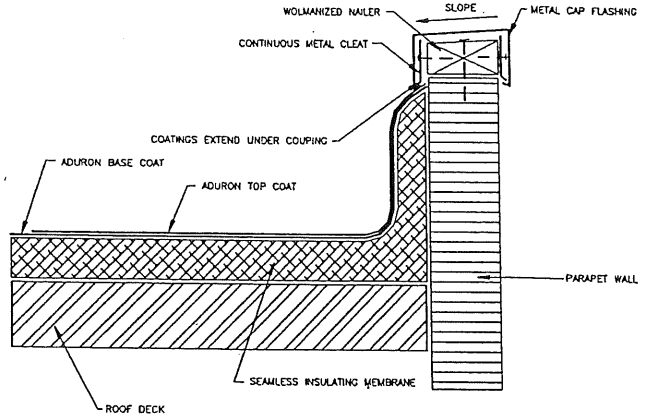
**SPF METAL EDGE
MASTER ARCHITECTURAL DETAIL**



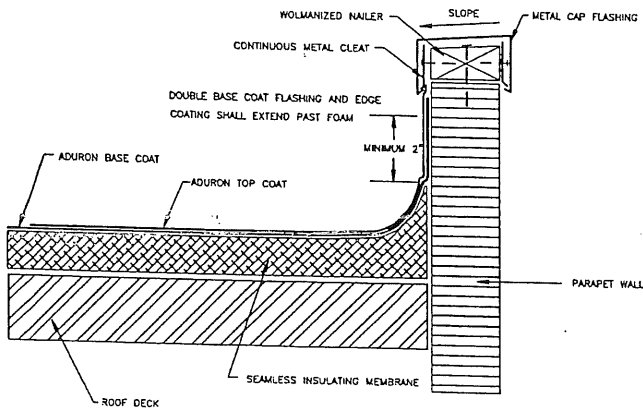
**METAL ROOF EDGE DETAIL
MASTER ARCHITECTURAL DETAIL**



**SPF ONEWAY VENT FLASHING
MASTER ARCHITECTURAL DETAIL**

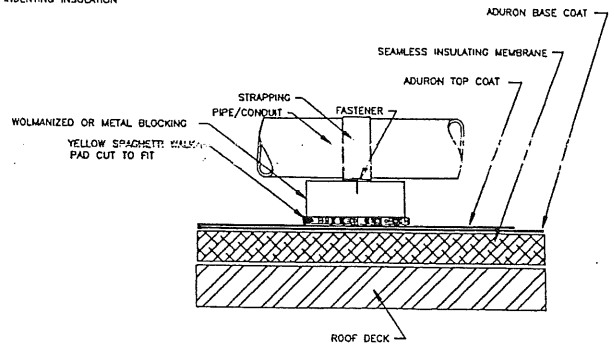


**SPF PARAPET METAL COUPLING & COUNTER FLASHING
MASTER ARCHITECTURAL DETAIL**

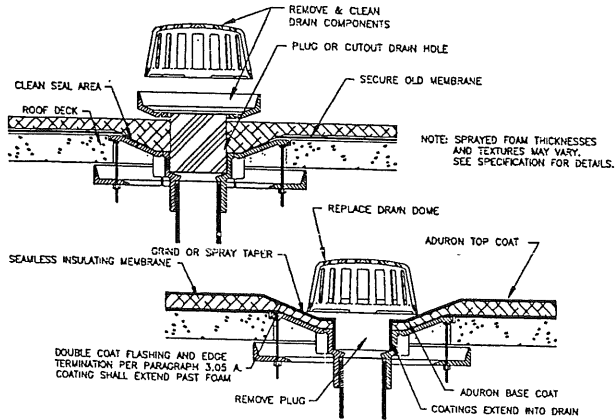


**SPF PARAPET METAL COUPLING
MASTER ARCHITECTURAL DETAIL**

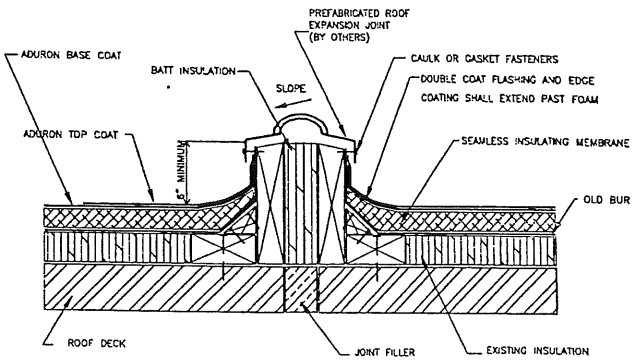
NOTE:
BLOCKING MUST BE LARGE ENOUGH
TO SUPPORT WEIGHT WITHOUT
INDENTING INSULATION



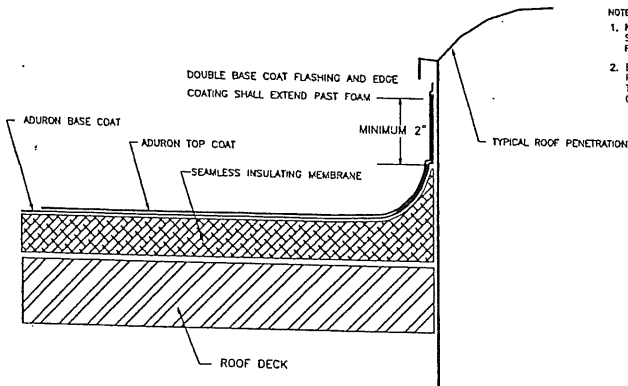
**SPF PIPE OR CONDUIT BLOCKING
MASTER ARCHITECTURAL DETAIL**



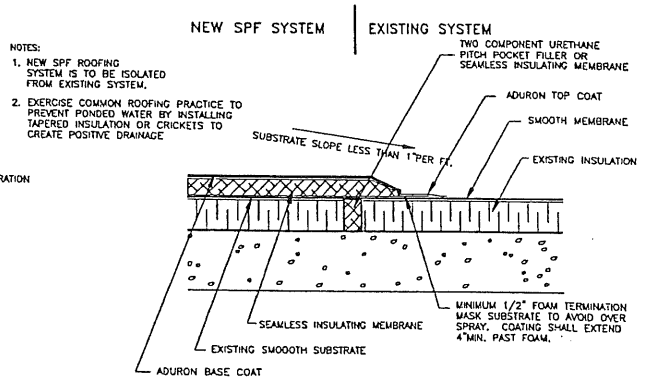
**ROOF DRAIN FLASHING
MASTER ARCHITECTURAL DETAIL**



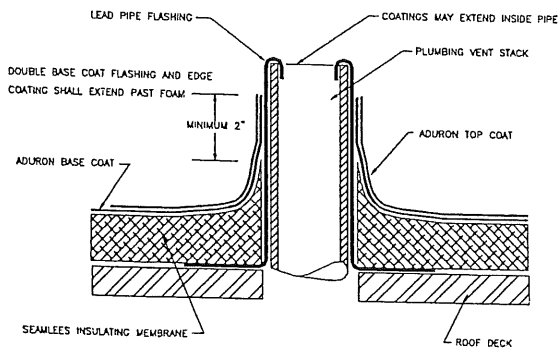
**SPF ROOF EXPANSION JOINT
MASTER ARCHITECTURAL DETAIL**



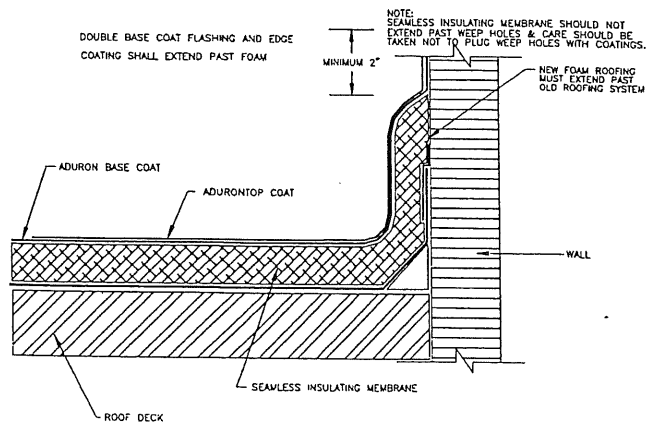
**SPF ROOF PENETRATION FLASHING
MASTER ARCHITECTURAL DETAIL**



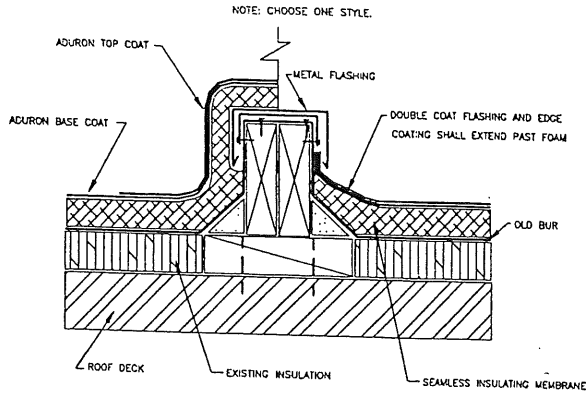
**SPF SMOOTH BUR ISOLATION JOINT
MASTER ARCHITECTURAL DETAIL**



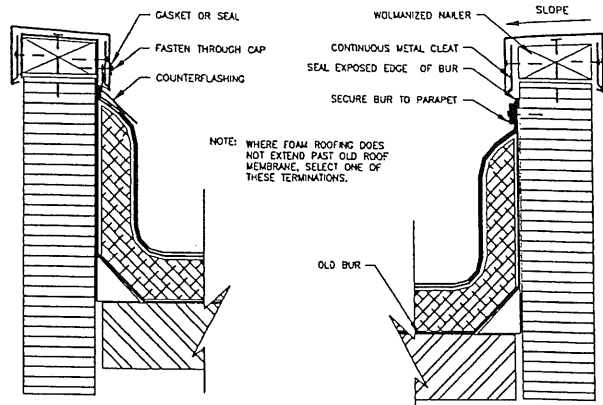
**SPF VENT STACK FLASHING
MASTER ARCHITECTURAL DETAIL**



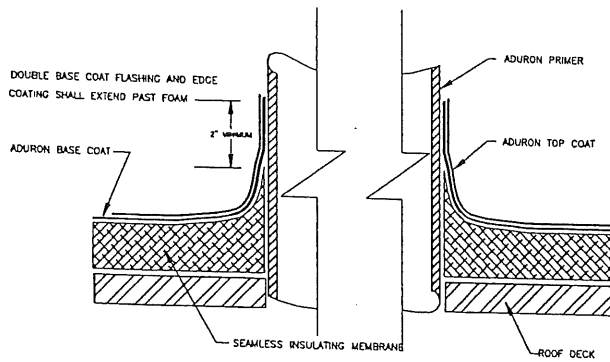
**SPF WALL FLASHING
MASTER ARCHITECTURAL DETAIL**



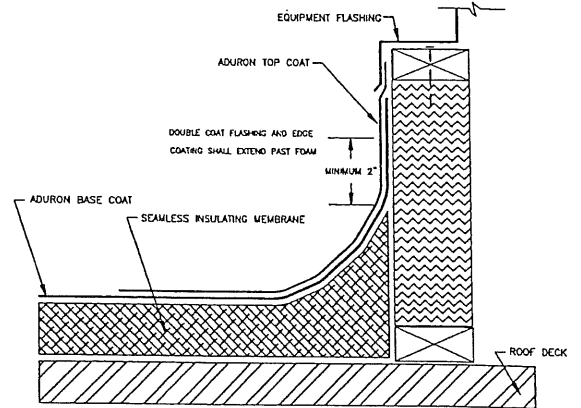
**SPF AREA DIVIDER/CURB FLASHING
MASTER ARCHITECTURAL DETAIL**



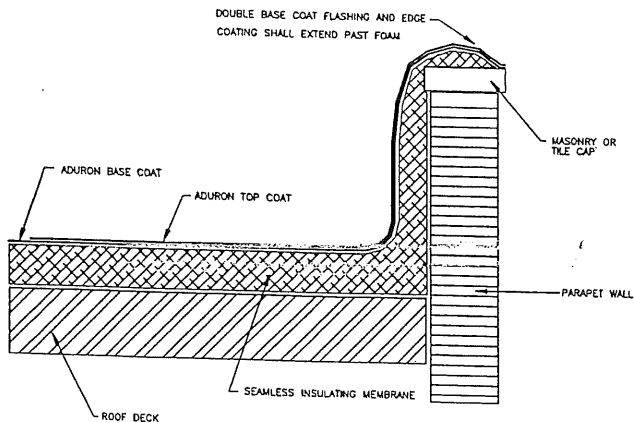
**SPF BUR TERM FLASHING BEYOND FOAM
MASTER ARCHITECTURAL DETAIL**



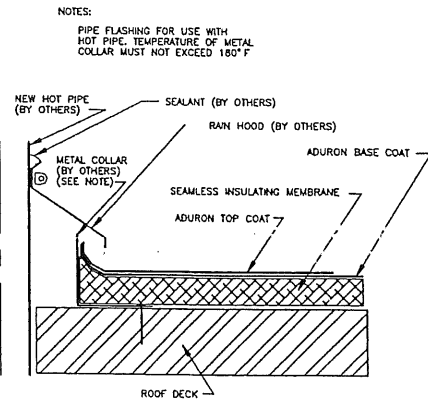
**SPF DUCT WORK FLASHING
MASTER ARCHITECTURAL DETAIL**



**SPF EQUIPMENT BASE FLASHING
MASTER ARCHITECTURAL DETAIL**



**SPF FOAM OVER STONE PARAPET CAP
MASTER ARCHITECTURAL DETAIL**



**SPF HOT PIPE FLASHING
MASTER ARCHITECTURAL DETAIL**